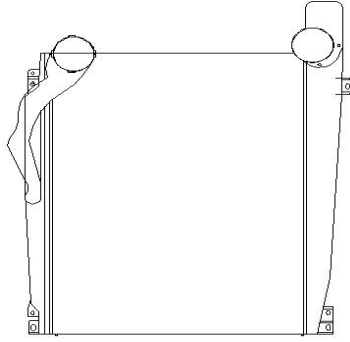


# INTER COOLER

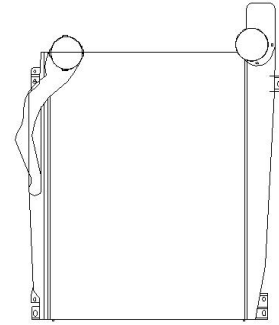
## IC-001



MERCEDES-BENZ SK 2650 A

**Size** 593X 792 X 52 mm  
**OEM Ref.** 656 501 01 01  
**YEAR** 1987-1996

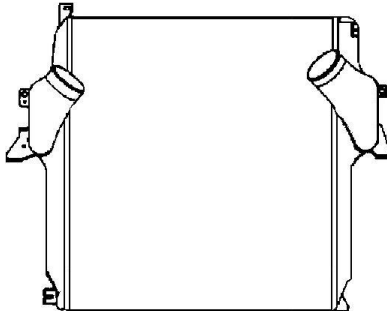
## IC-002



MERCEDES-BENZ SK 2650 A

**Size** 600X 790 X 52 mm  
**OEM Ref.** 656 501 00 01  
**YEAR** 1987-1996

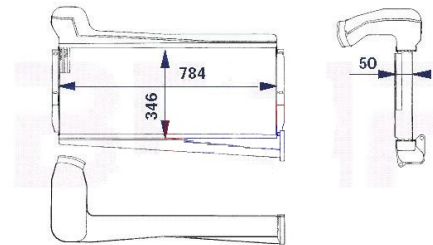
## IC-003



MERCEDES-ACTROS

**Size** 752X 852 X 66 mm  
**OEM Ref.** A 942 501 02 01  
**YEAR** 1996-2002&2009

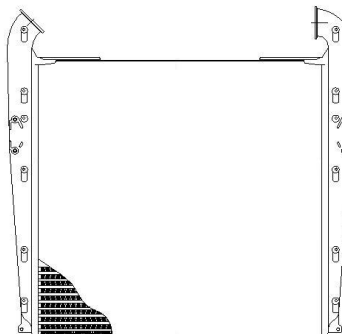
## IC-004



MERCEDES-BENZ SK

**Size** 752X 852 X 66 mm  
**OEM Ref.** 655 501 00 01  
**YEAR** 1987-1996

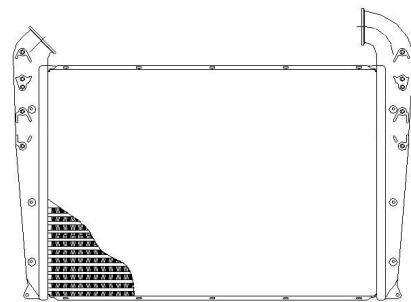
## IC-005



SCANIA 4

**Size** 828X 792X 66 mm  
**OEM Ref.** 1373517  
**YEAR** 1996-2002&2009

## IC-006

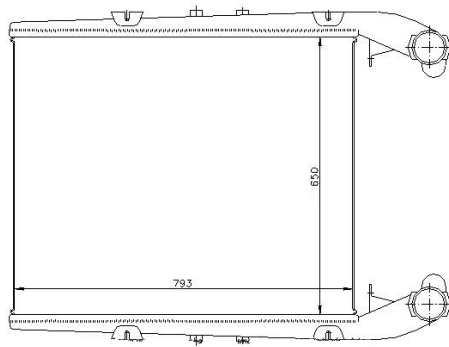


SCANIA 4 - series 94 C/310 C340/C260/C220

**Size** 837X 577X 62 mm  
**OEM Ref.** 1 365 209  
**YEAR** (1996-1999)(2004-2008)

# INTER COOLER

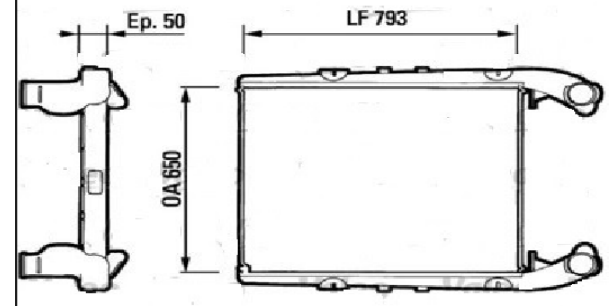
## IC-007



RENAULT TRUCKS Major R

<b>Size</b>	793X 792X 50mm
<b>OEM Ref.</b>	5001831758
<b>YEAR</b>	1990-1996

## IC-008

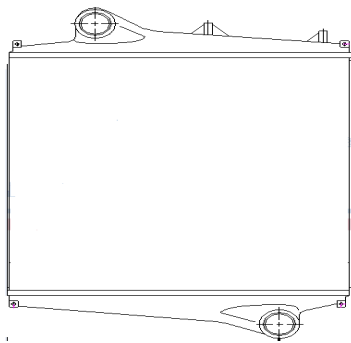


PREMIUM-RVI R380

P/A

<b>Size</b>	650X793X67 mm
<b>OEM Ref.</b>	5010213198
<b>YEAR</b>	1991-1996

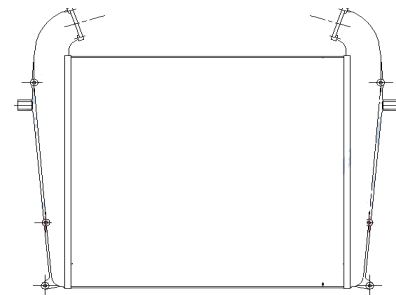
## IC-009



VOLVO FH 16 FH 16/520

<b>Size</b>	885X 915X 62mm
<b>OEM Ref.</b>	2 056 684 4
<b>YEAR</b>	1993-2002

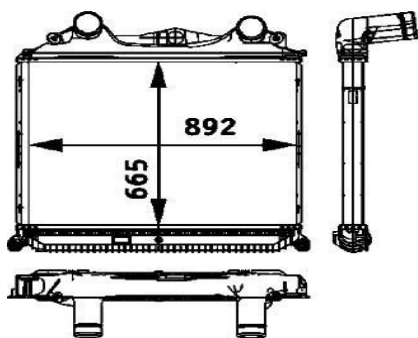
## IC-010



SCANIA 3 - series 93 M/210 H/250

<b>Size</b>	672X650X52mm
<b>OEM Ref.</b>	352 304
<b>YEAR</b>	1988-1996

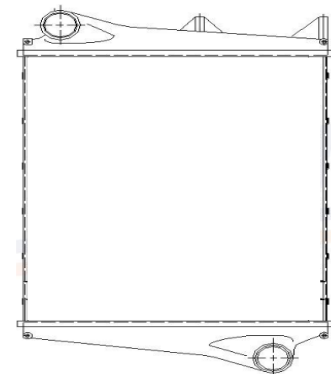
## IC-012



MAN TGA 18.310, 18.320 FC, FLC, FLLC,

<b>Size</b>	665X892X64mm
<b>OEM Ref.</b>	81 0613 00204
<b>YEAR</b>	2004

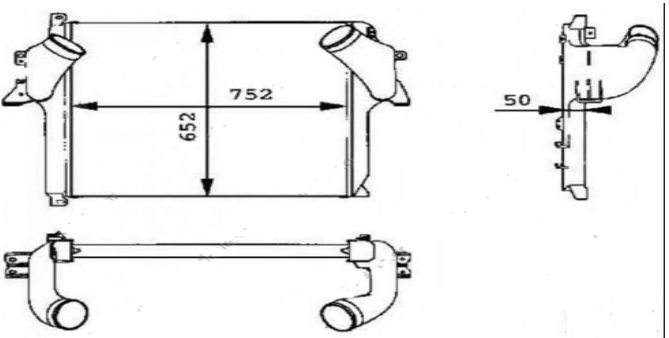
## IC-013



VOLVO FH12

<b>Size</b>	900X726X68mm
<b>OEM Ref.</b>	20758816
<b>YEAR</b>	1993-2005

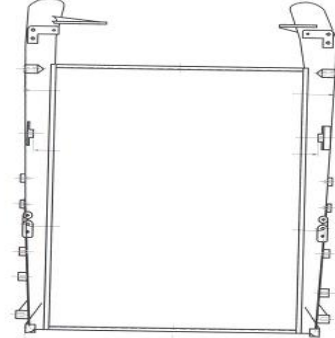
**IC-017**



MERCEDES ACTROS

<b>Size</b>	752X652X50mm
<b>OEM Ref.</b>	942 501 03 01
<b>YEAR</b>	1996-2002

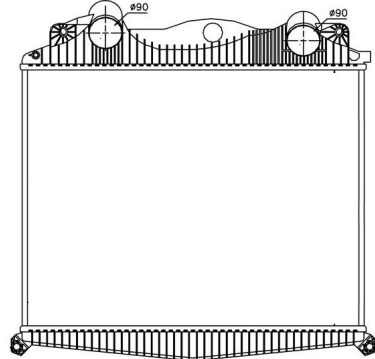
**IC-019**



RENAULT TRUCKS Premium Route 320.18

<b>Size</b>	593X812X66mm
<b>OEM Ref.</b>	50 01 858 491
<b>YEAR</b>	2000-2008

**IC-020**

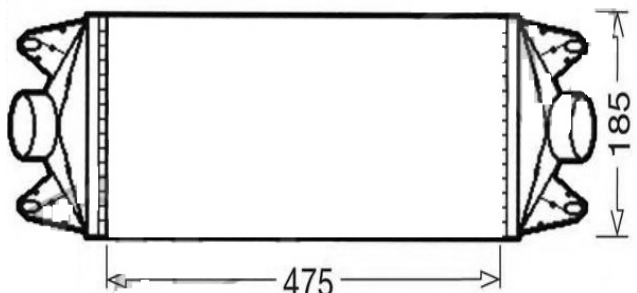


MAN TGA 18.310, 18.320 FC, FLC, FLLC

P/A

<b>Size</b>	685X892X66mm
<b>OEM Ref.</b>	81 06130 0161
<b>YEAR</b>	2004

**IC-021**

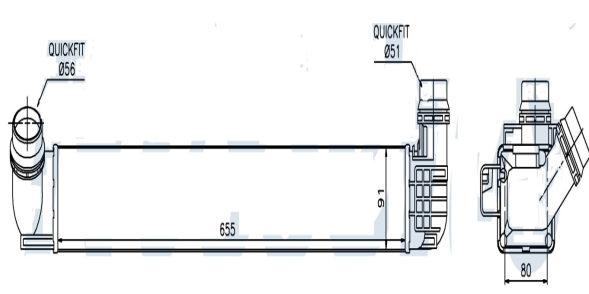


IVECO DAILY

P/A

<b>Size</b>	475X185X65 mm
<b>OEM Ref.</b>	504022617
<b>YEAR</b>	1999-2006

**IC-022**

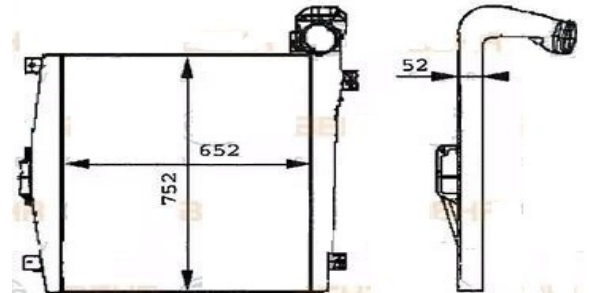


RENAULT MEGANE III 1.5 DCI

P/A

<b>Size</b>	655X91X80 mm
<b>OEM Ref.</b>	144960600R
<b>YEAR</b>	2009-2013

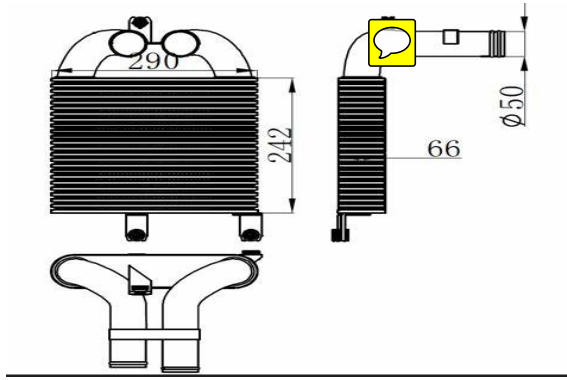
**IC-023**



MERCEDES SK Series

<b>Size</b>	752X752X52mm
<b>OEM Ref.</b>	655 501 02 01
<b>YEAR</b>	(1987-2007) (1996-2009)

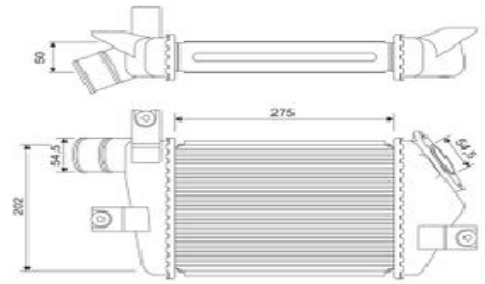
## IC-024



ISUZU D-MAX

<b>Size</b>	242X290X66 mm
<b>OEM Ref.</b>	8-98094-179
<b>YEAR</b>	2007-2008

## IC-025

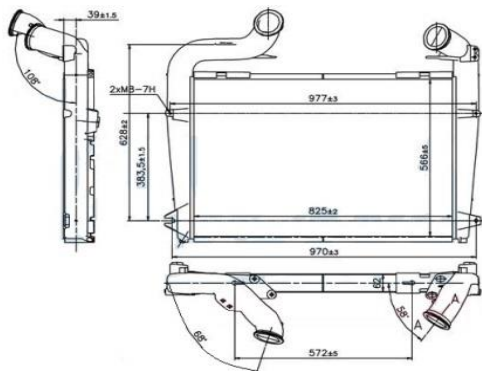


MITSUBISHI TRITON

P/A

<b>Size</b>	275X202X50 mm
<b>OEM Ref.</b>	MN1350
<b>YEAR</b>	2011-2015

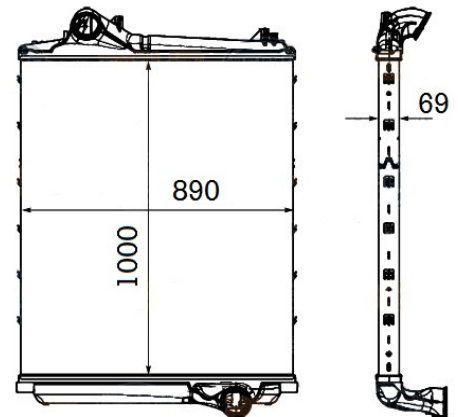
## IC-027



SCANIA P,G,R,T

<b>Size</b>	652X752X52mm
<b>OEM Ref.</b>	1769998
<b>YEAR</b>	2004-2013

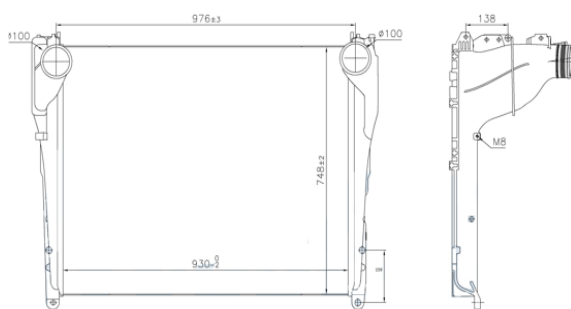
## IC-028



VOLVO FH II T-Series

<b>Size</b>	1000X890X69mm
<b>OEM Ref.</b>	85013014
<b>YEAR</b>	2013

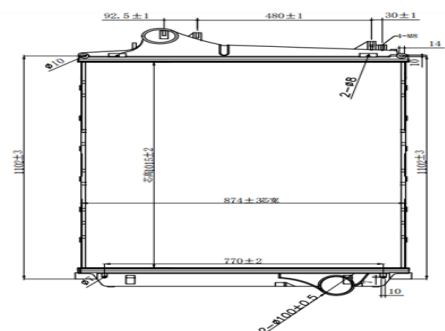
## IC-060



MERCEDES ACTROS MB4

<b>Size</b>	930X748X62 mm
<b>OEM Ref.</b>	A960500002
<b>YEAR</b>	2011-2014

## IC-071



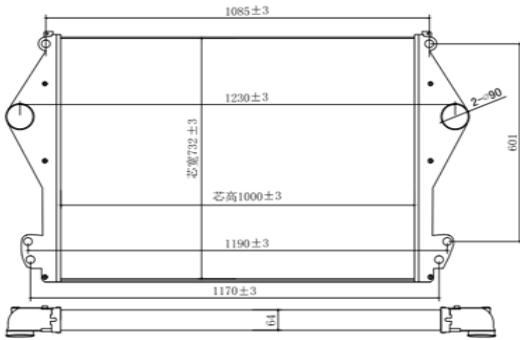
RVI/VOLVO T-SERIE (13-)/FH (13-) EURO6

<b>Size</b>	1015X874X62 mm
<b>OEM Ref.</b>	21208268/21631996/21649511/85013014
<b>YEAR</b>	2013

# INTER COOLER



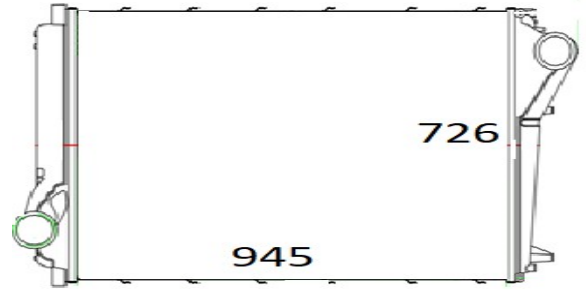
## IC-072



SCANIA G/R/S EURO6

Size	1000X732X64 mm
OEM Ref.	2433149
YEAR	2017

## IC-073



VOLVO B11R (EURO6)

Size	945X726X64 mm
OEM Ref.	21621395
YEAR	2011